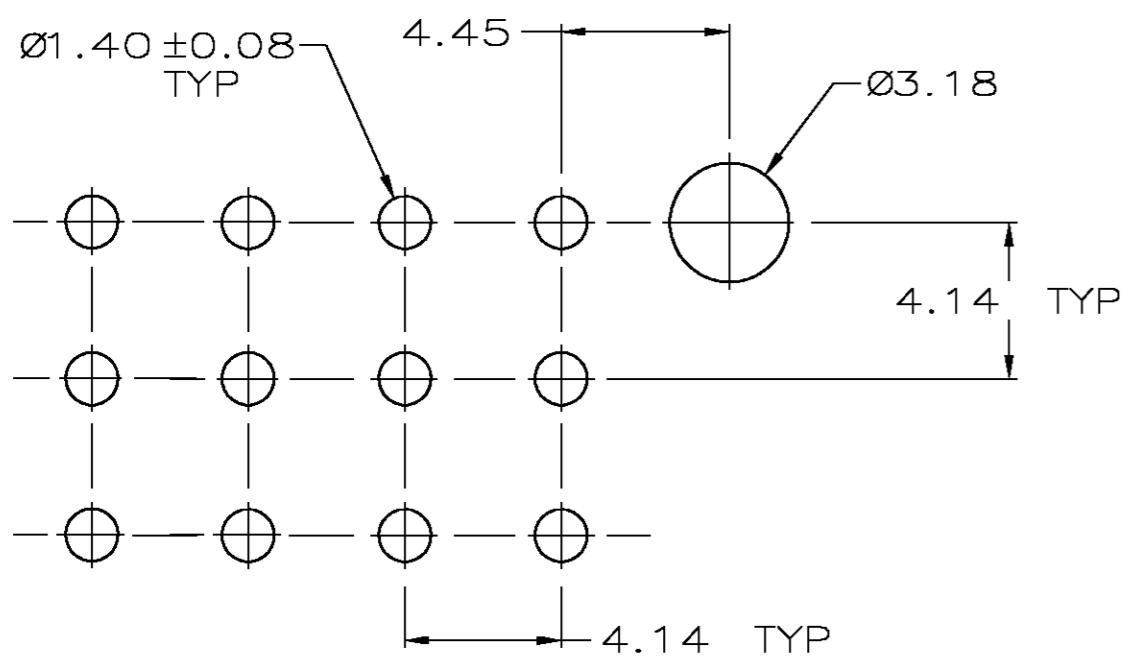
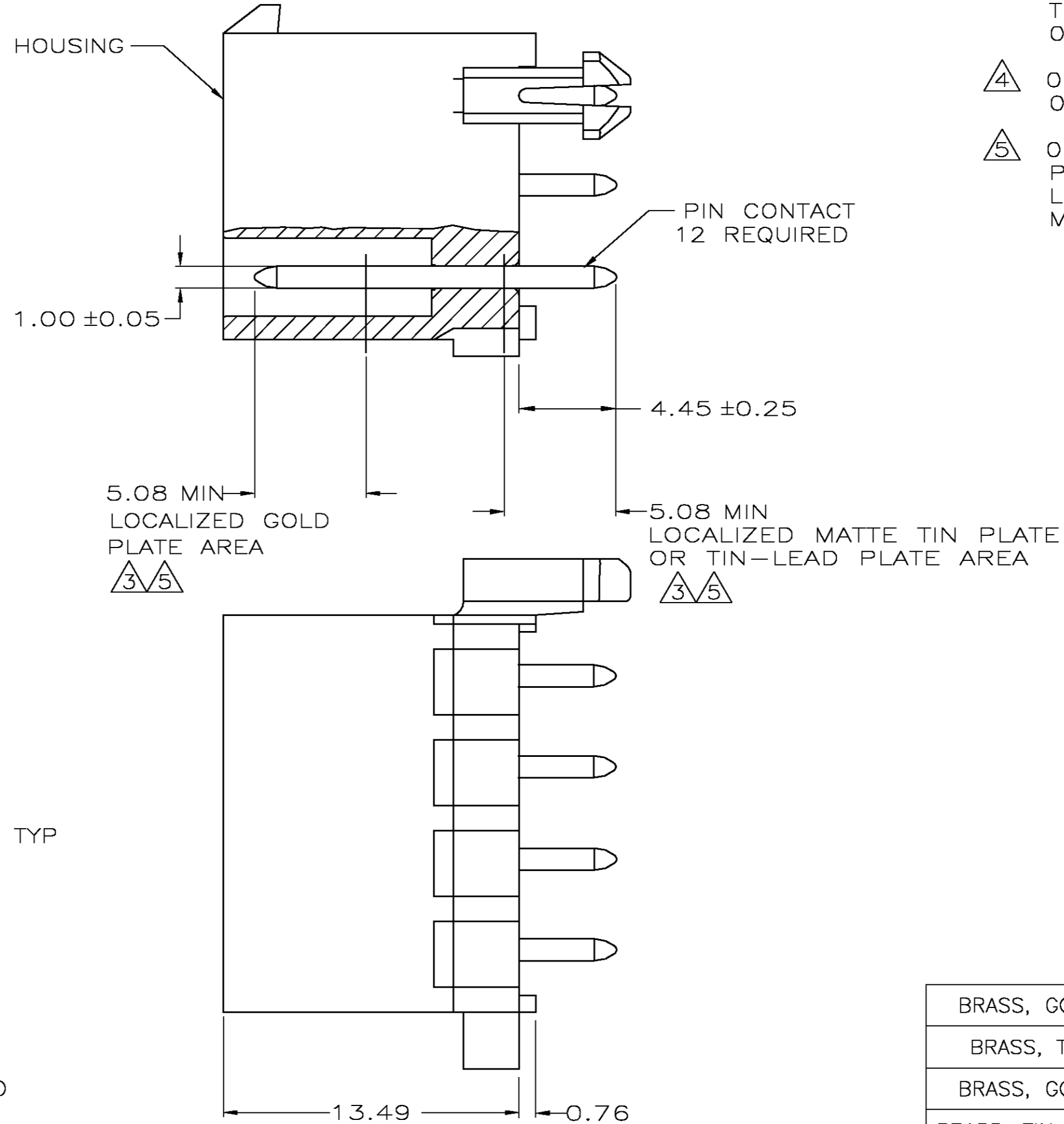
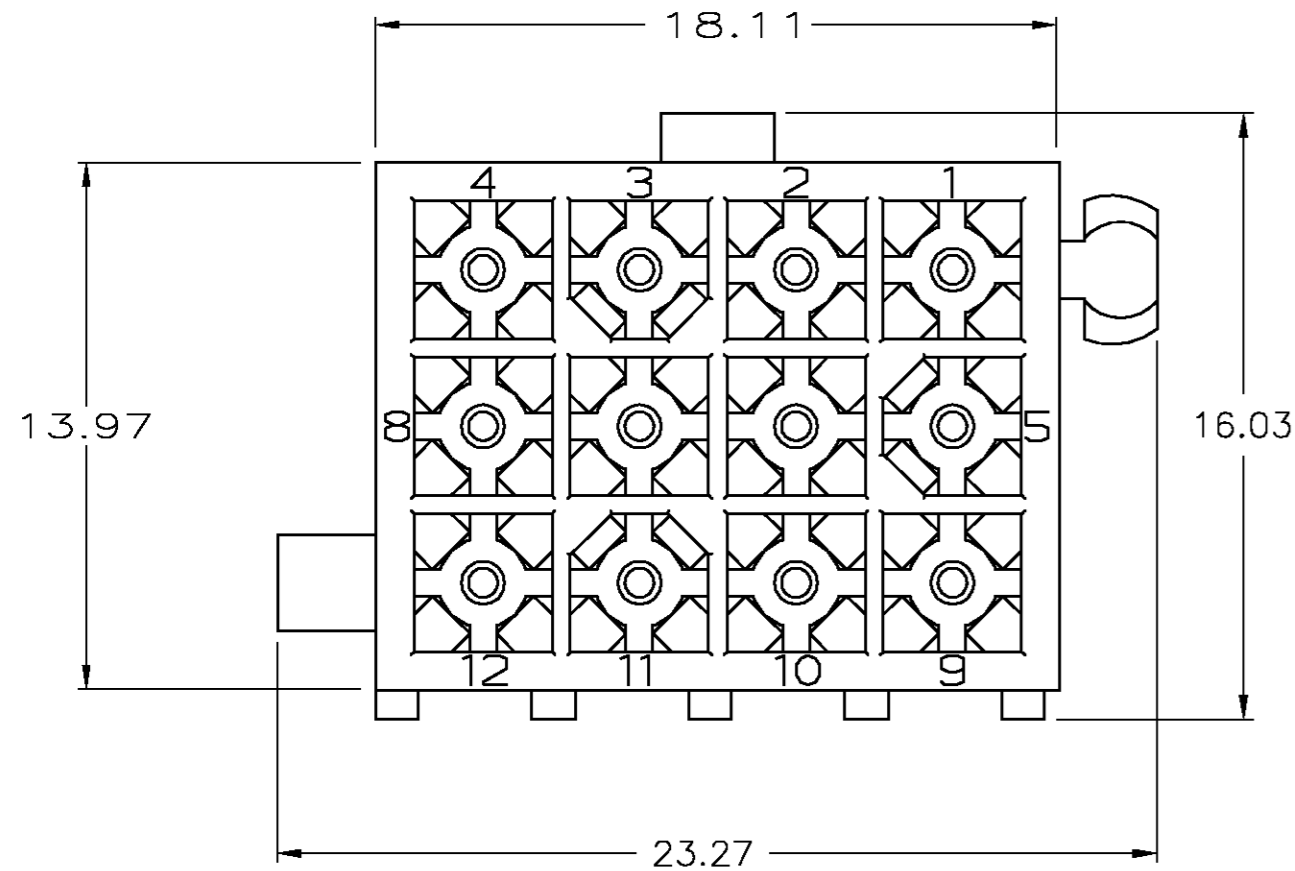


THIS DRAWING IS UNPUBLISHED. RELEASED FOR PUBLICATION
 © COPYRIGHT BY TYCO ELECTRONICS CORPORATION. ALL RIGHTS RESERVED.

LOC	DIST	REVISIONS					
		P	LTR	DESCRIPTION	DATE	DWN	APVD
CM	0	L		REVISED PER 0G3B-0211-05	6/8/05	SS	RJ

- PINS TO COMPLY WITH AMP SOLDERABILITY SPEC. 109-11-3.
- 0.00381 MIN MATTE TIN LEAD PLATE OVER 0.00127 MIN NICKEL.
- 0.00076 MIN GOLD PLATE IN THE LOCALIZED PLATE AREA, 0.00381 MATTE TIN LEAD IN THE LOCALIZED PLATE AREA, BOTH OVER 0.00127 MIN NICKEL.
- 0.00381 MIN MATTE TIN PLATE OVER 0.00127 MIN NICKEL.
- 0.00076 MIN GOLD PLATE IN THE LOCALIZED PLATE AREA, 0.00381 MATTE TIN IN THE LOCALIZED PLATE AREA, BOTH OVER 0.00127 MIN NICKEL.



RECOMMENDED LAYOUT FOR 1.57 THICK BOARD
 TOLERANCES NON-ACCUMULATIVE

BRASS, GOLD	5	NYLON, UL94V-0	WHITE	1-770186-1
BRASS, TIN	4	NYLON, UL94V-0	WHITE	1-770186-0
BRASS, GOLD	3	NYLON, UL94V-0	WHITE	770186-2
BRASS, TIN-LEAD	2	NYLON, UL94V-0	WHITE	770186-1
MATERIAL	FINISH	MATERIAL	COLOR	PART NO.

DIMENSIONS:		TOLERANCES UNLESS OTHERWISE SPECIFIED:		APVD		NAME	
mm		0 PLC	± -	S CARPENTER	OBJJUN05	Tyco Electronics Corporation	
		1 PLC	± -	R JONES	28JUL2003	Harrisburg, Pa 17105-3608	
		2 PLC	± 0.13	R JONES	28JUL2003	NAME	
		3 PLC	± -	PRODUCT SPEC		HEADER ASSEMBLY, 12 CKT,	
		4 PLC	± -	APPLICATION SPEC		MINI UNIVERSAL MATE-N-LOK	
		ANGLES	± -	WEIGHT		SIZE	RESTRICTED TO
		FINISH	-	-		A2	1
MATERIAL	-			CUSTOMER DRAWING		CAGE CODE	OF
						00779	1
						C=770186	1
						SCALE	REV
						5:1	L